

# MAGNETO 48V

New

Indoor

8322-8339

8381-8385

8382-8386

8315-8332

8316-8333-8816

8317-8334-8817

8384-8388

8328-8345

8326-8343

8325-8342

8318-8335-8818

8319-8336-8819

8323-8340

8324-8341

8390-8392

8389-8391-8823

8383-8387

8327-8344

8442-8444

8441-8443-8824

8445-8446-8825

8329-8346-8822

8320-8337-8820

8321-8338-8821

# MAGNETO 48V

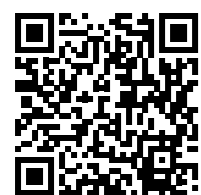
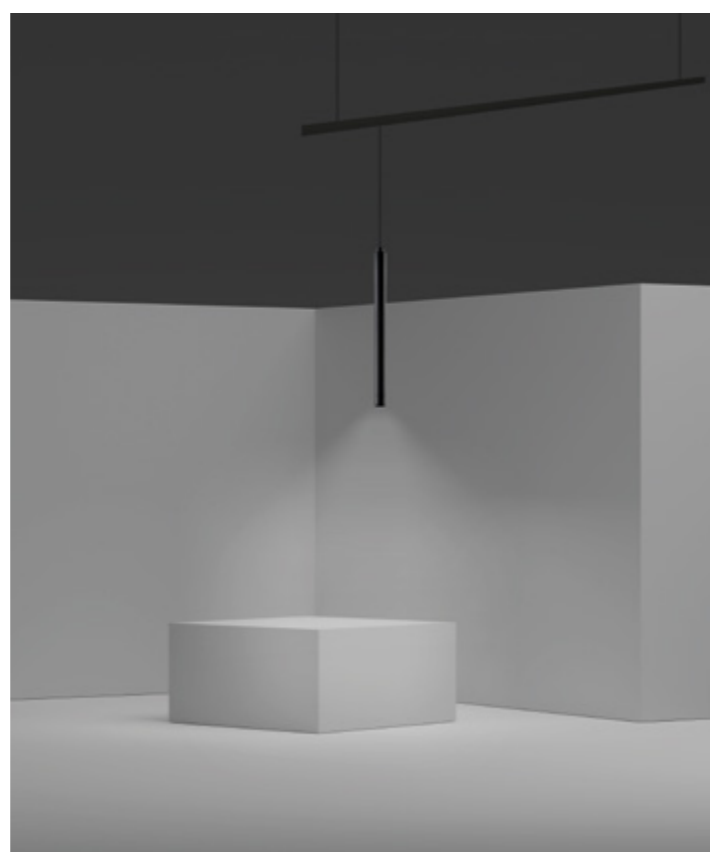


MODO DE USO

# MAGNETO 48V

New

Indoor



MODO DE USO 



# MAGNETO 48V

New

Indoor



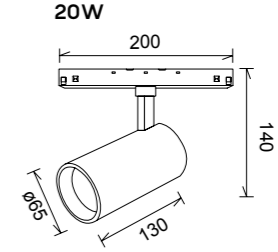
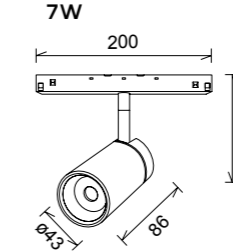
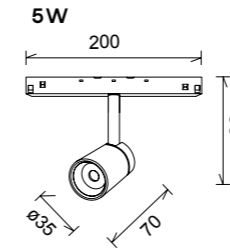
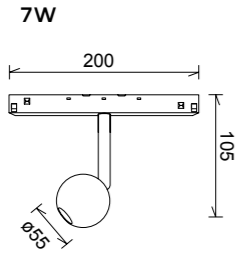
# MAGNETO 48V



New

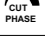
Foco-spot light

Indoor

Foco-spot light



REFERENCE	K	LED WATT	BEAM ANGLE	LUMENS	FINISH	
8328	3000K	7W	38°	560lm	Negro-Black	On-off
8384	3000K	7W	38°	560lm	Oro-Gold	On-off
8345	3000K	7W	38°	560lm	Negro-Black	Dimmable 
8388	3000K	7W	38°	560lm	Oro-Gold	Dimmable 
				48V CRI≥ 90	Aluminio-Aluminium	

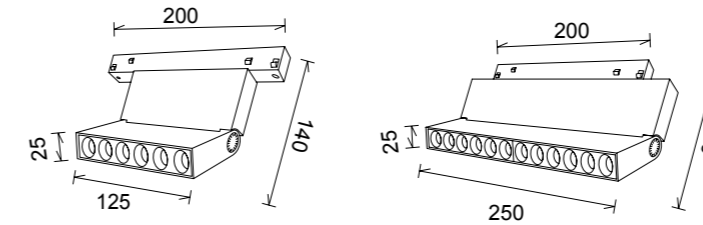
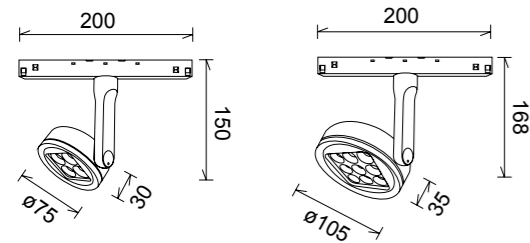
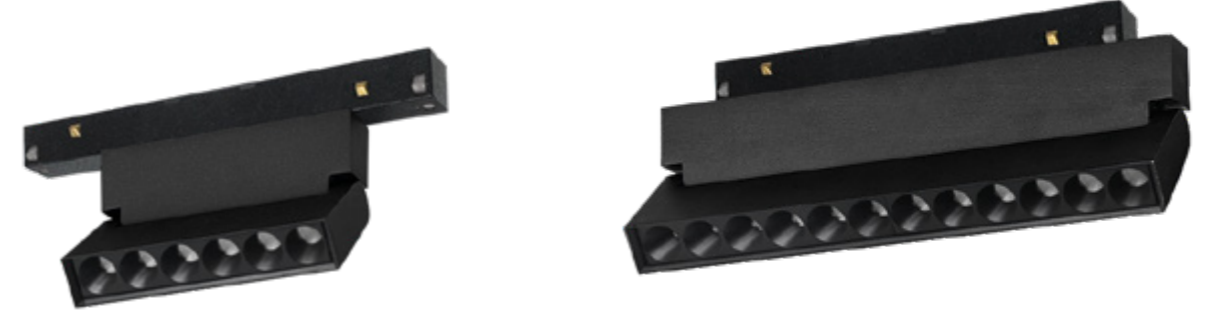
REFERENCE	K	LED WATT	BEAM ANGLE	LUMENS	FINISH	
8315	3000K	5W	50°	400lm	Negro-Black	On-off
8381	3000K	5W	50°	400lm	Oro-Gold	On-off
8316	3000K	7W	38°	560lm	Negro-Black	On-off
8382	3000K	7W	38°	560lm	Oro-Gold	On-off
New 8816	4000K	7W	38°	585lm	Negro-Black	On-off
8317	3000K	20W	38°	1600lm	Negro-Black	On-off
New 8817	4000K	20W	38°	1650lm	Negro-Black	On-off
8332	3000K	5W	50°	400lm	Negro-Black	Dimmable 
8385	3000K	5W	50°	400lm	Oro-Gold	Dimmable 
8333	3000K	7W	38°	560lm	Negro-Black	Dimmable 
8386	3000K	7W	38°	560lm	Oro-Gold	Dimmable 
8334	3000K	20W	38°	1600lm	Negro-Black	Dimmable 
				48V CRI≥ 90	Aluminio-Aluminium	







# MAGNETO 48V

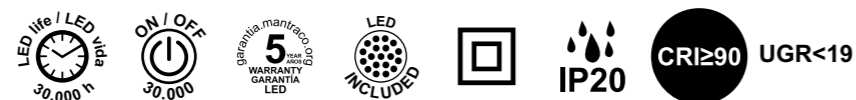
New

Indoor



REFERENCE	K	LED WATT	BEAM ANGLE	LUMENS	FINISH	
8325	3000K	10W	50°	800lm	Negro-Black	On-off
8326	3000K	20W	50°	1600lm	Negro-Black	On-off
8342	3000K	10W	50°	800lm	Negro-Black	Dimmable 
8343	3000K	20W	50°	1600lm	Negro-Black	Dimmable 
48V CRI≥ 90				Aluminio-Aluminium		

REFERENCE	K	LED WATT	BEAM ANGLE	LUMENS	FINISH	
8323	3000K	10W	50°	800lm	Negro-Black	On-off
8324	3000K	20W	50°	1600lm	Negro-Black	On-off
8340	3000K	10W	50°	800lm	Negro-Black	Dimmable 
8341	3000K	20W	50°	1600lm	Negro-Black	Dimmable 
48V CRI≥ 90				Aluminio-Aluminium		

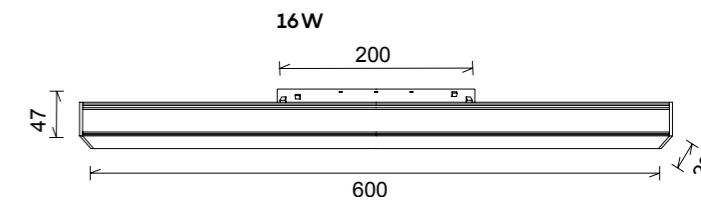
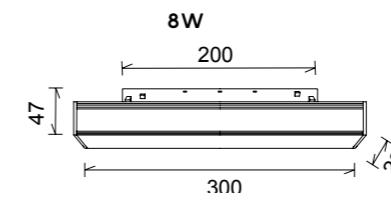
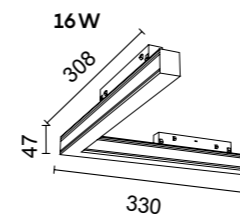
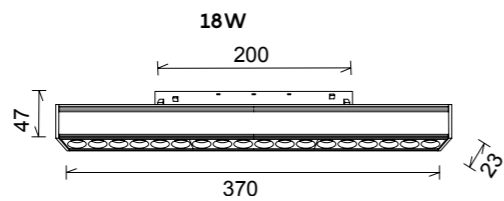
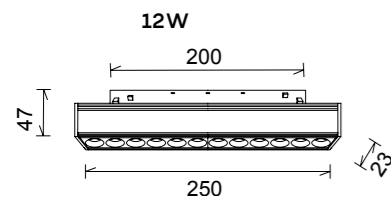


# MAGNETO 48V

New

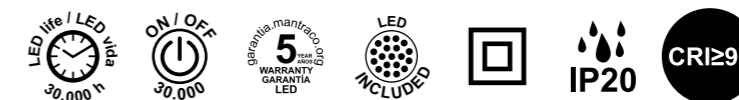
Modulo lineal COB-Linear light diffuser

Angulo difusor-Corner diffuser



REFERENCE	K	LED WATT	BEAM ANGLE	LUMENS	FINISH	
8320	3000K	12W	50°	960lm	Negro-Black	On-off
<b>New</b> 8820	4000K	12W	50°	1000lm	Negro-Black	On-off
8321	3000K	18W	50°	1440lm	Negro-Black	On-off
<b>New</b> 8821	4000K	18W	50°	1500lm	Negro-Black	On-off
8337	3000K	12W	50°	960lm	Negro-Black	Dimmable
8338	3000K	18W	50°	1440lm	Negro-Black	Dimmable
				48V CRI≥ 90	Aluminio-Aluminium	

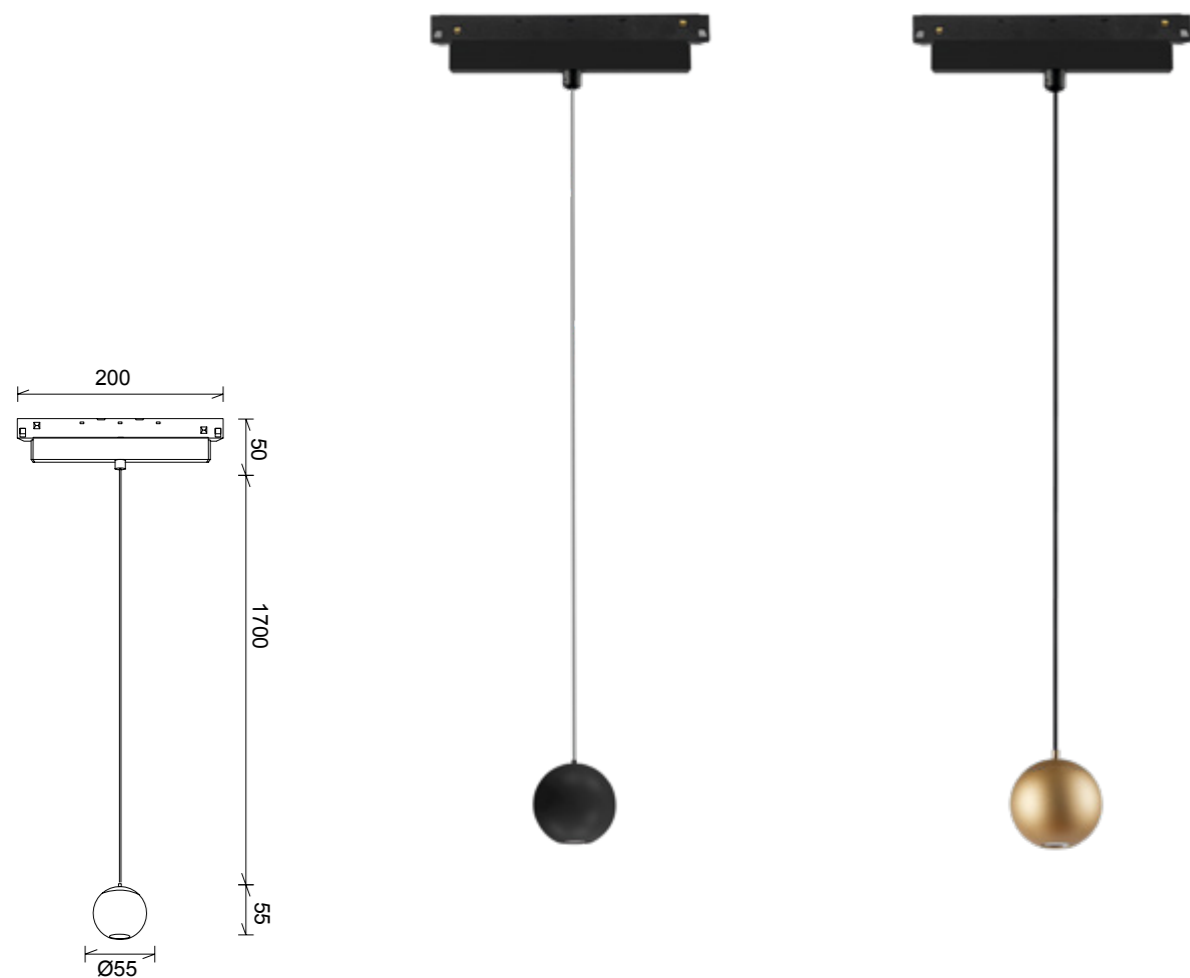
REFERENCE	K	LED WATT	BEAM ANGLE	LUMENS	FINISH	
8322	3000K	16W	120°	1280lm	Negro-Black	On-off
8339	3000K	16W	120°	1280lm	Negro-Black	Dimmable
8318	3000K	8W	120°	640lm	Negro-Black	On-off
<b>New</b> 8818	4000K	8W	120°	665lm	Negro-Black	On-off
8319	3000K	16W	120°	1280lm	Negro-Black	On-off
<b>New</b> 8819	4000K	16W	120°	1340lm	Negro-Black	On-off
8335	3000K	8W	120°	640lm	Negro-Black	Dimmable
8336	3000K	16W	120°	1280lm	Negro-Black	Dimmable
				48V CRI≥ 90	Aluminio-Aluminium	





# MAGNETO 48V



New

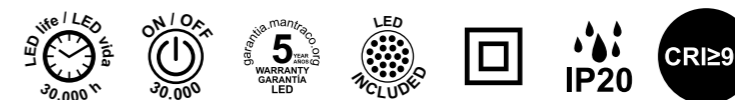
Indoor



REFERENCE	K	LED WATT	BEAM ANGLE	LUMENS	FINISH	
8327	3000K	7W	38°	560lm	Negro-Black	On-off
8383	3000K	7W	38°	560lm	Oro-Gold	On-off
8344	3000K	7W	38°	560lm	Negro-Black	Dimmable 
8387	3000K	7W	38°	560lm	Oro-Gold	Dimmable 
				48V CRI≥ 90	Aluminio-Aluminium	



REFERENCE	K	LED WATT	BEAM ANGLE	LUMENS	FINISH	
8441	3000K	10W	110°	800lm	Negro-Black	On-off
New 8824	4000K	10W	110°	840lm	Negro-Black	On-off
8442	3000K	10W	110°	800lm	Oro-Gold	On-off
8443	3000K	10W	110°	800lm	Negro-Black	Dimmable 
8444	3000K	10W	110°	800lm	Oro-Gold	Dimmable 
				48V CRI≥ 90	Aluminio-Aluminium	



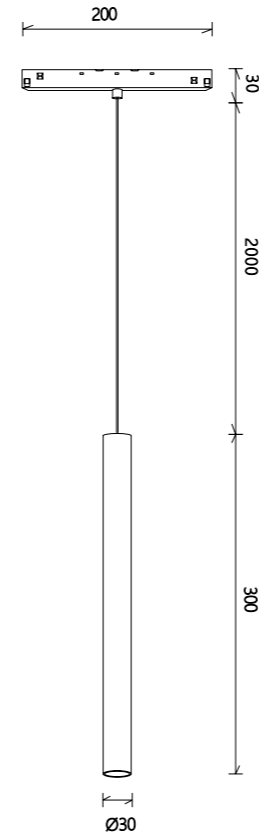
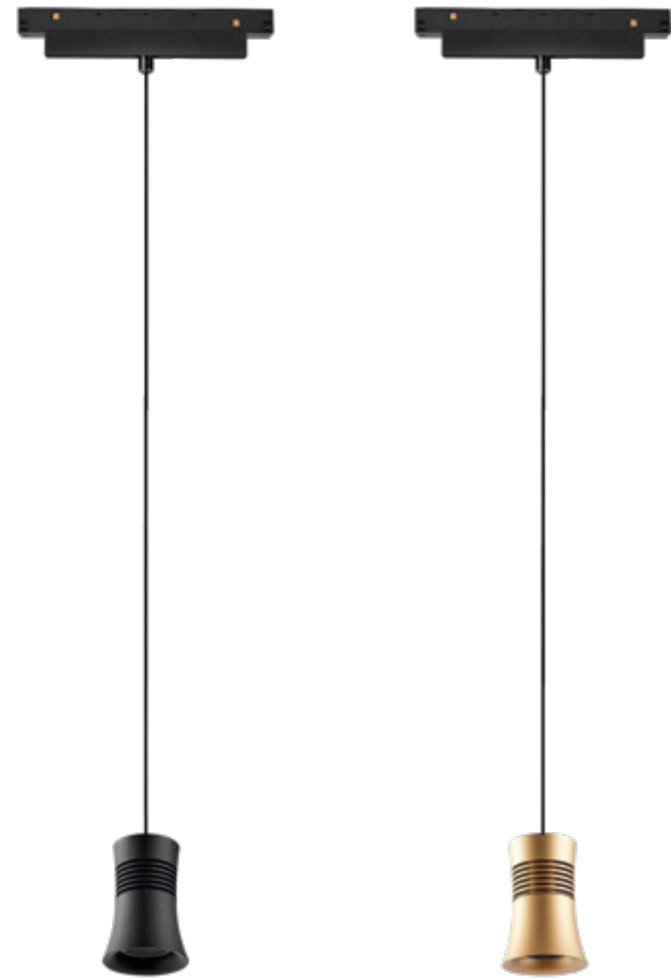
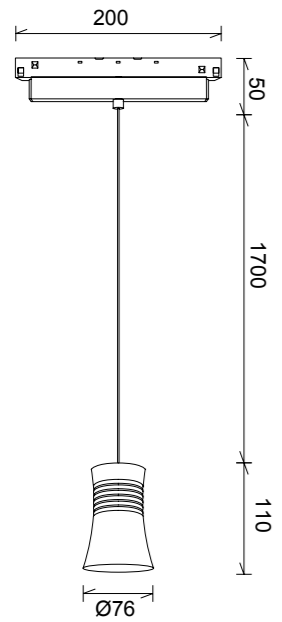
# MAGNETO 48V

New

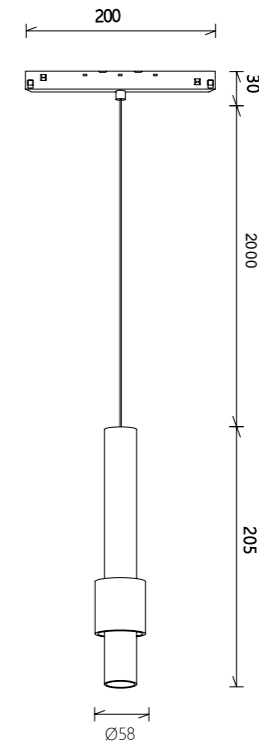
Colgante Pagoda- Pendant Pagoda

Indoor

Colgante-Pendant



8329-8822-8346

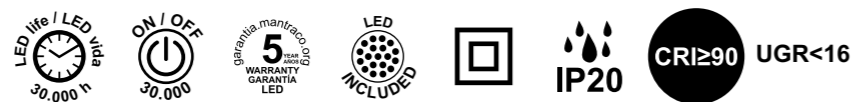


8445-8825-8446



REFERENCE	K	LED WATT	BEAM ANGLE	LUMENS	FINISH	
8389	3000K	12W	38°	950lm	Negro-Black	On-off
<b>New</b> 8823	4000K	12W	38°	1000lm	Negro-Black	On-off
8390	3000K	12W	38°	950lm	Oro-Gold	On-off
8391	3000K	12W	38°	950lm	Negro-Black	Dimmable
8392	3000K	12W	38°	950lm	Oro-Gold	Dimmable
				48V CRI≥ 90	Aluminio-Aluminium	

REFERENCE	K	LED WATT	BEAM ANGLE	LUMENS	FINISH	
8329	3000K	5W	38°	400lm	Negro-Black	On-off
<b>New</b> 8822	4000K	5W	38°	420lm	Negro-Black	On-off
8346	3000K	5W	38°	400lm	Negro-Black	Dimmable
8445	3000K	7W	38°	560lm	Oro/Negro-Gold/black	On-off
<b>New</b> 8825	4000K	7W	38°	585lm	Oro/Negro-Gold/black	On-off
8446	3000K	7W	38°	560lm	Oro/Negro-Gold/black	Dimmable
				48V CRI≥ 90	Aluminio-Aluminium	





## Carril de empotrar-*Recessed track*

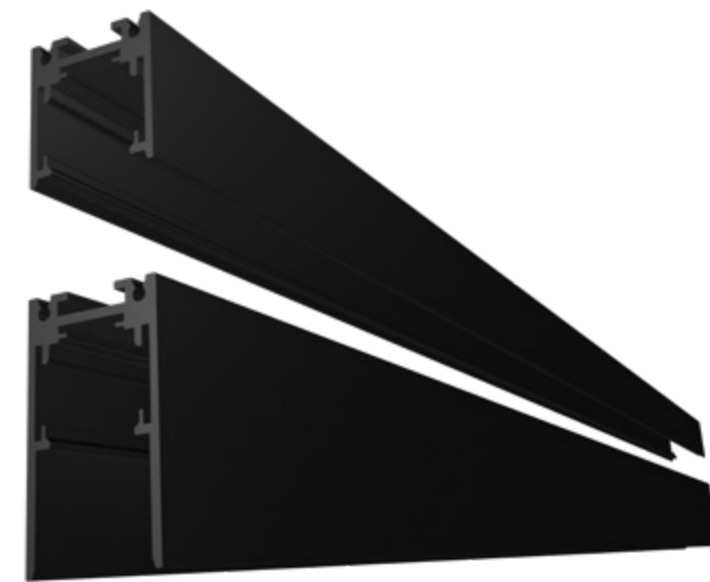
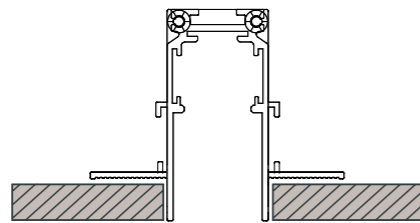
Indoor

## Carril de superficie-*Surface mounted track*



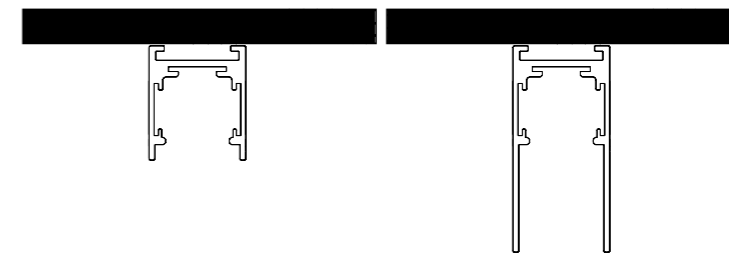
Los carriles empotrados permiten una fusión total, creando infinitas soluciones para la iluminación de espacios interiores, con el refinamiento y la discreción de un sistema que ofrece un diseño moderno, minimalista y sereno.

The recessed rails allow a total fusion, creating unlimited solutions for the lighting of interior spaces, with the refinement and discretion of a system that offers a modern, minimalist and serene design.



Los carriles de superficie son soluciones diseñadas para cualquier zona de instalación. Su particular diseño lo convierte en protagonista absoluto del espacio.

Surface rails are solutions designed for any installation area. Its particular design makes it the absolute protagonist of the space.



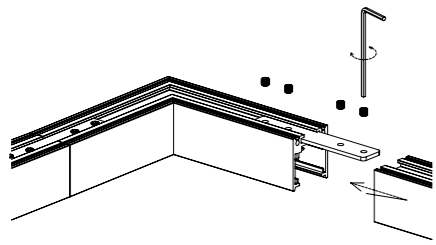
# MAGNETO 48V

Indoor

## SURFACE TRACK

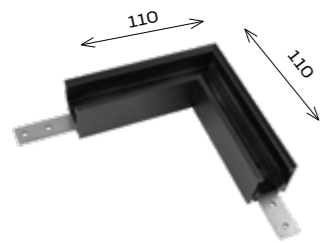
**8300** Track length 1000 mm

**8301** Track length 2000 mm

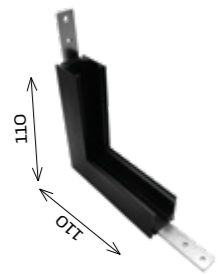


## TRACK ACCESSORIES

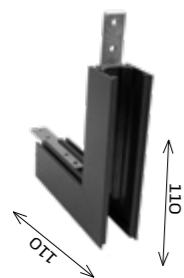
**8304** L-joint 90° plates incl.



**8305** Wall to wall connector (in) plates incl.



**8306** Wall to wall connector (out) plates incl.



**8303** Top track connection plate



**8314** Live end (connector)



**8313** Live end (feeder)



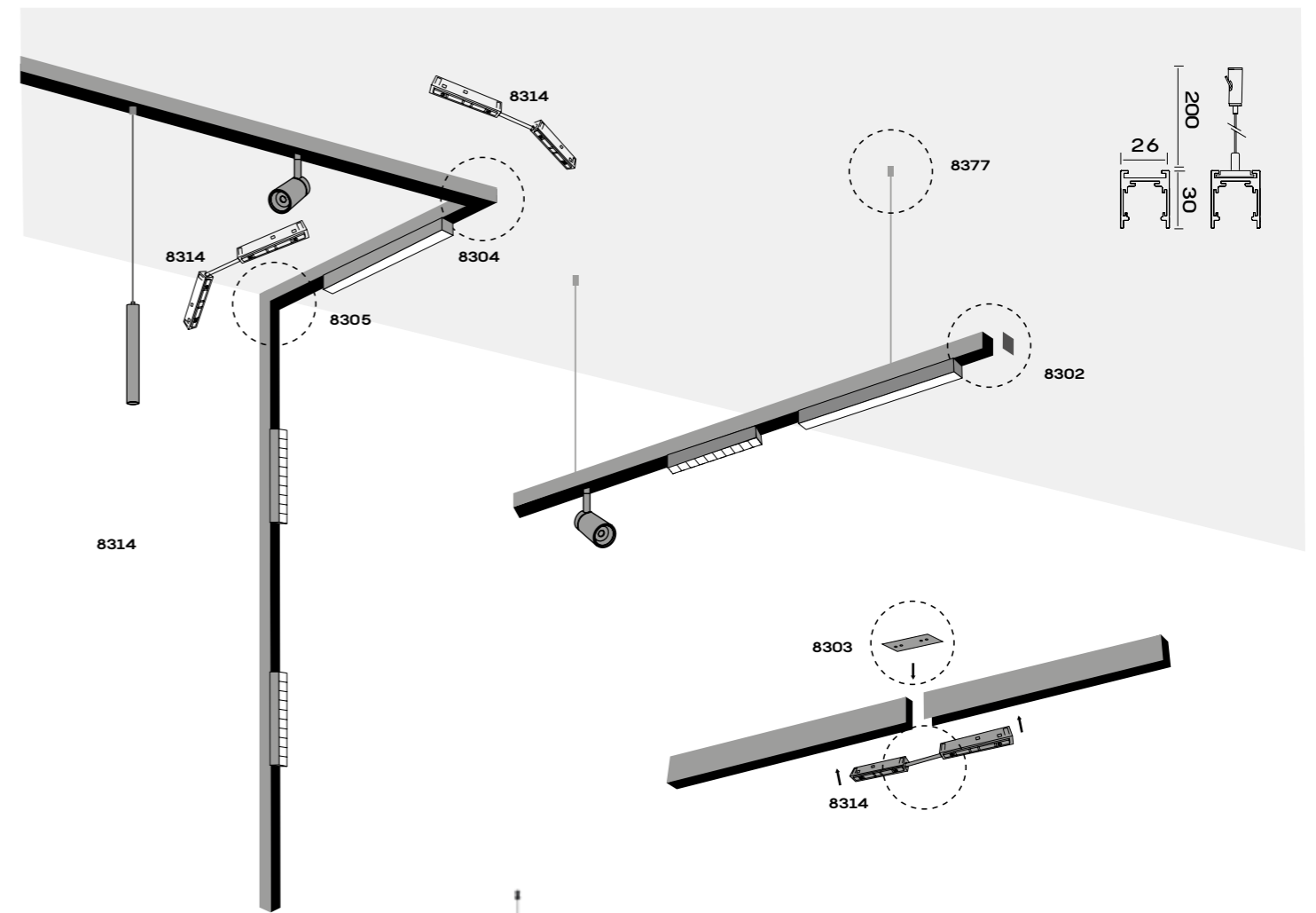
**8302** Set 2 end caps



**8377** Suspension kits (2 wires)



 Brown +48V  
 Blue -48V



8314

8314

8304

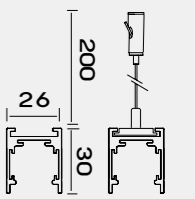
8305

8377

8302

8303

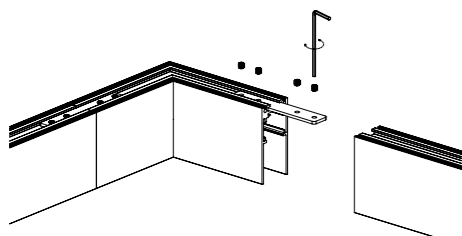
8314



## SURFACE TRACK

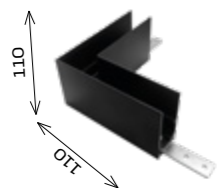
8371 Track length 1000 mm

8372 Track length 2000 mm

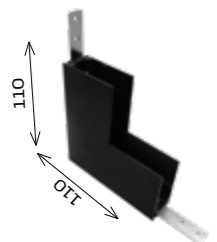


## TRACK ACCESSORIES

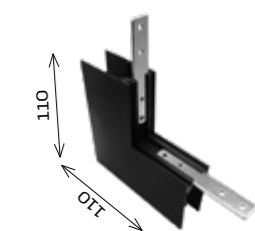
8374 L-joint 90° plates incl.



8375 Wall to wall connector (in) plates incl.



8376 Wall to wall connector (out) plates incl.



8303 Top track connection plate



8314 Live end (connector)



8313 Live end (feeder)

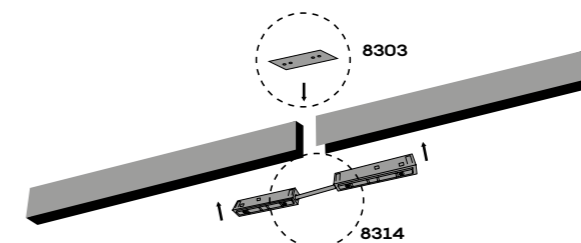
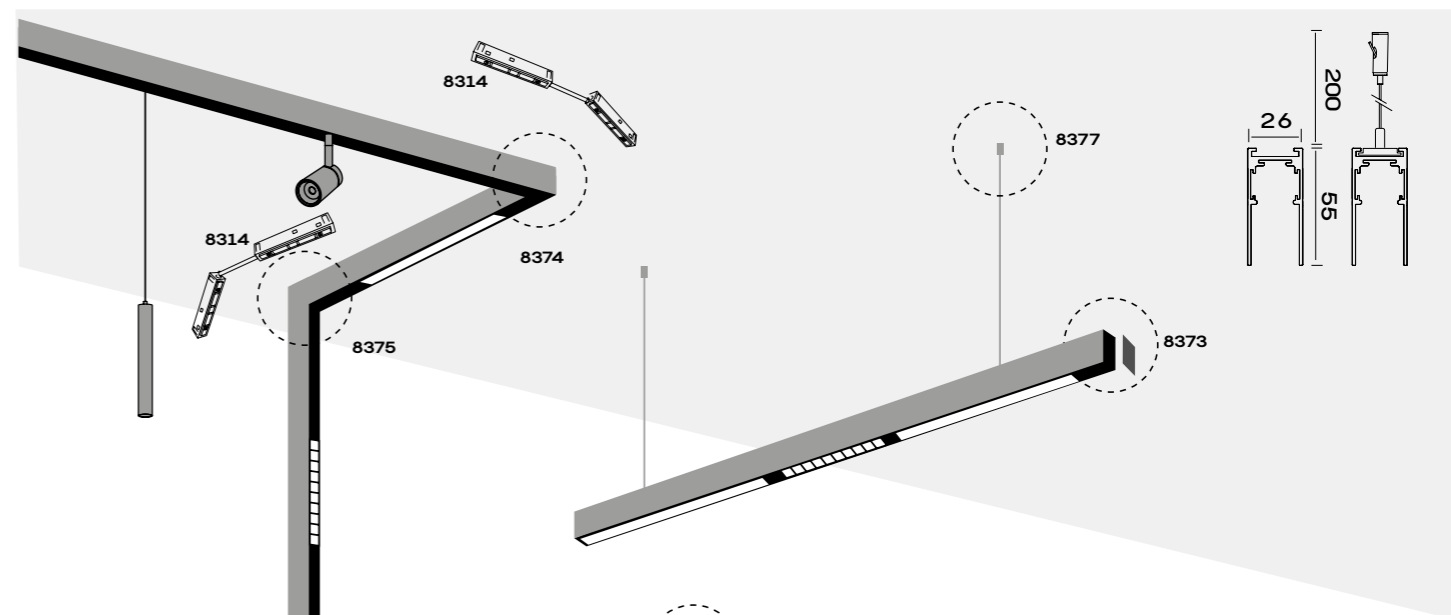
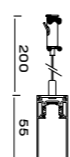


Brown +48V  
Blue -48V

8373 Set 2 end caps



8377 Suspension kits (2 wires)



\* Tapa incluida-Cover included

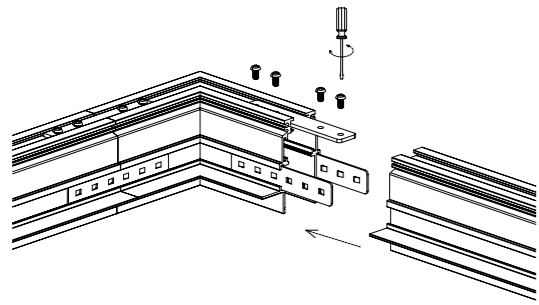
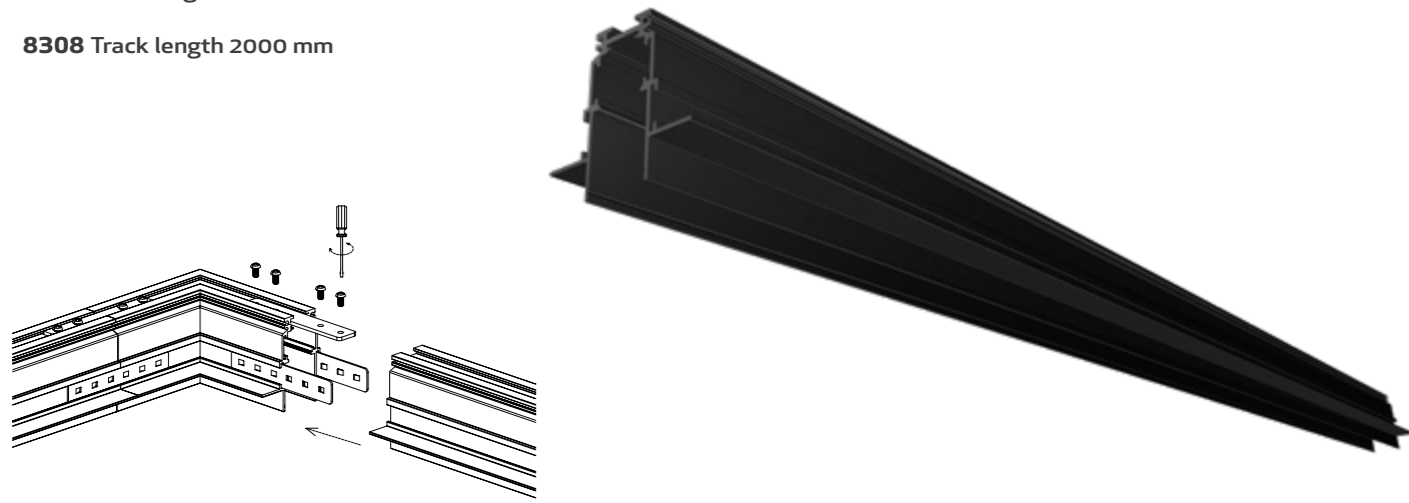
# MAGNETO 48V

Indoor

## RECESSED TRACK

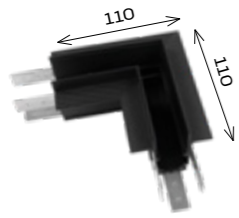
**8307** Track length 1000 mm

**8308** Track length 2000 mm

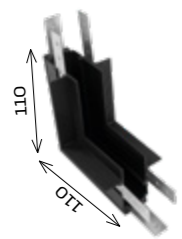


## TRACK ACCESSORIES

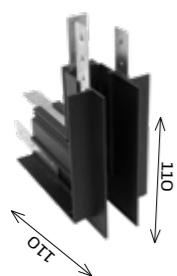
**8309** L-joint 90° plates incl.



**8310** Wall to wall connector (in) plates incl.



**8311** Wall to wall connector (out) plates incl.



**8312** Side track connection plate ×2



**8303** Top track connection plate



**8314** Live end (connector)



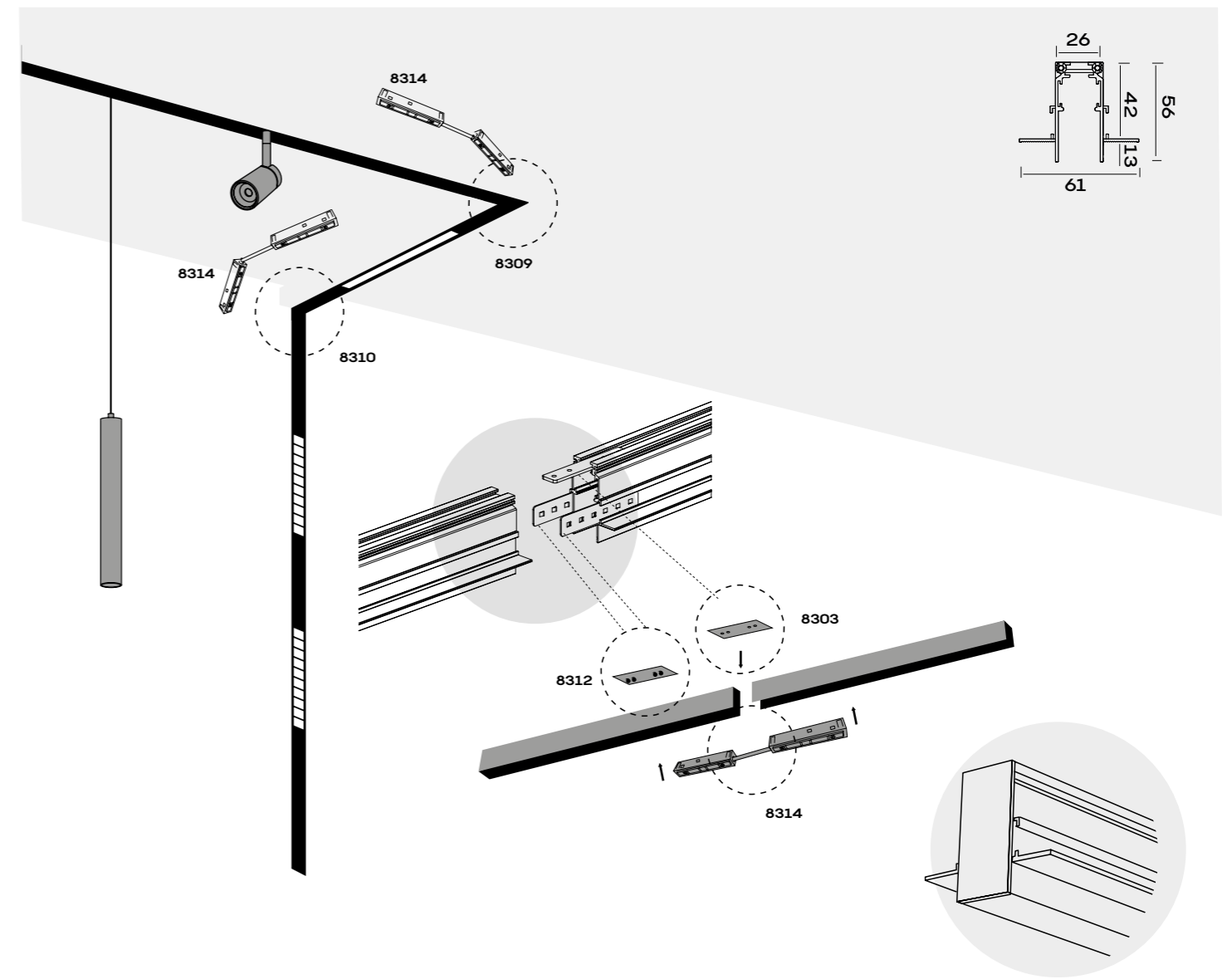
**8313** Live end (feeder)



■ Brown +48V

■ Blue -48V

**8373** Set 2 end caps



# ALIMENTADORES-DRIVERS

Indoor

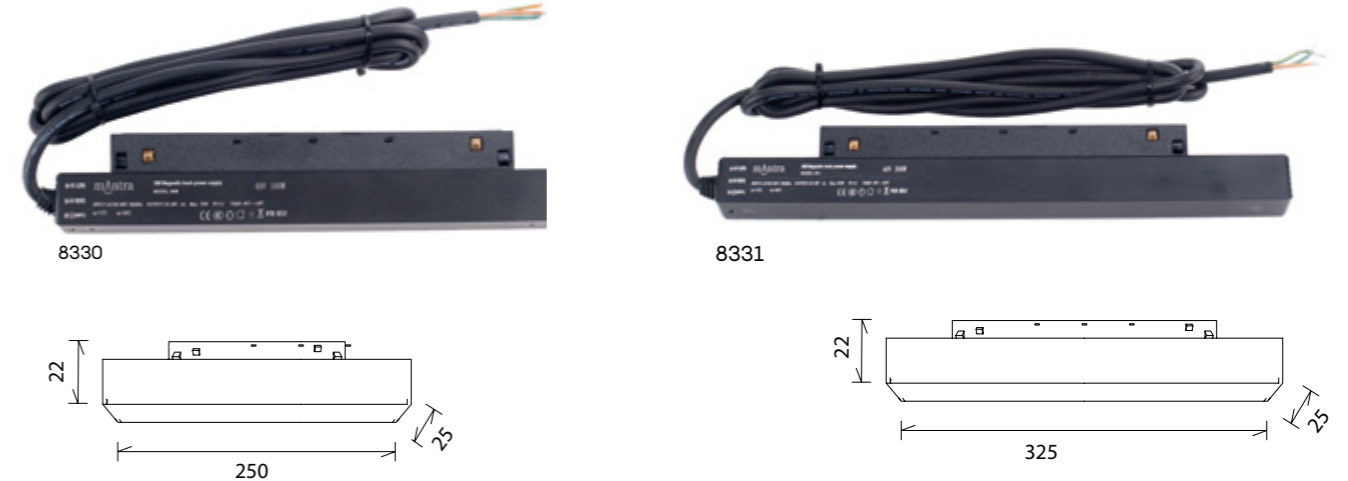
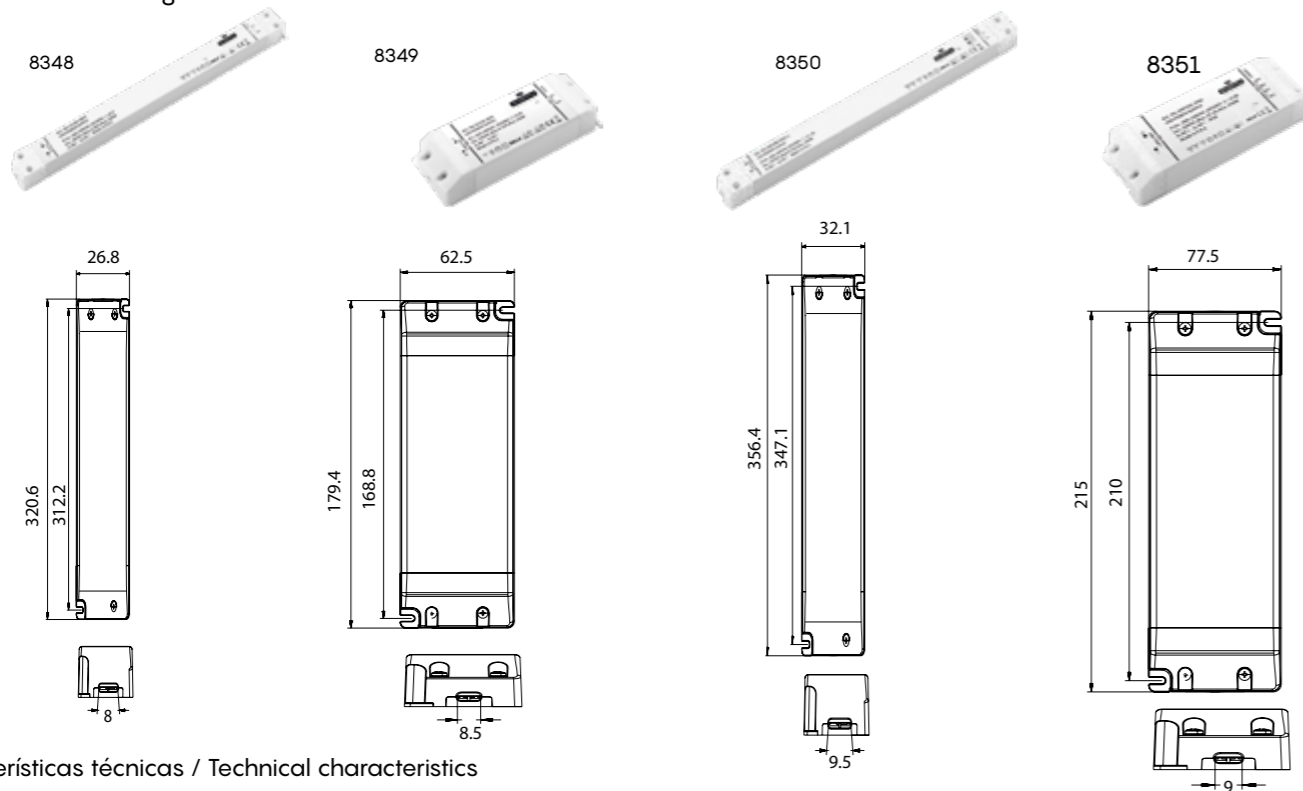
Tension constante 48v  
48v Constant voltage

# ALIMENTADORES-DRIVERS

Tension constante 48v  
48v Constant voltage



NO DIMMABLES



Características técnicas / Technical characteristics

Características técnicas / Technical characteristics

NO DIMMABLES

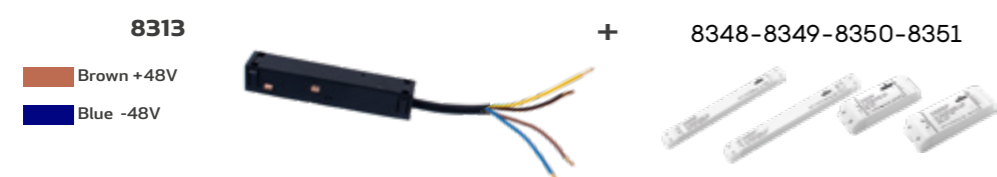
Ref.	Art.-No	Tensión nominal de entrada Nominal input voltage	Rango de potencia en módulo Output power range	Tensión de salida DC Output voltage DC	Corriente de salida máxima Maximum output current	Factor de potencia Power factor	Frecuencia Frequency	Temp. máx. envolvente Max temp. at tc point	Temp. funcionamiento Operating temp.	Protección Protection
		Vac	W	Vdc	A	$\lambda$	Hz	tc (°C)	ta (°C)	IP
8348	SL100-48VF-1	200-240V	0-100	48	2.05	$\geq 0,95$	50/60	90°	-20...+45°	20
8349	SS150-48VL	200-240V	0-150	48	3.12	$\geq 0,95$	50/60	90°	-20...+45°	20
8350	SL240-48VF	220-240V	0-240	48	5.00	$\geq 0,95$	50/60	90°	-20...+45°	20
8351	SNP320-48VL-1	220-240V	0-320	48	6.67	$\geq 0,95$	50/60	90°	-20...+45°	20

Ref.	Art.-No	Tensión nominal de entrada Nominal input voltage	Rango de potencia en módulo Output power range	Tensión de salida DC Output voltage DC	Corriente de salida máxima Maximum output current	Factor de potencia Power factor	Frecuencia Frequency	Temp. máx. envolvente Max temp. at tc point	Temp. funcionamiento Operating temp.	Protección Protection
		Vac	W	Vdc	A	$\lambda$	Hz	tc (°C)	ta (°C)	IP
8330		220-240V	0-100	48	1.25	$\geq 0,95$	50/60	85°	-20...+45°	20
8331		200-240V	0-200	48	2.5	$\geq 0,7$	50/60	80°	-20...+50°	20

REGULABLE/DIMMABLE

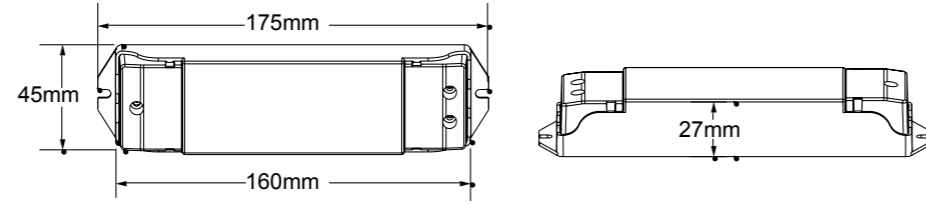


NO REGULABLE/NO DIMMABLE



SISTEMA REGULACIÓN TENSION CONSTANTE TRIAC 48v  
48v CONSTANT VOLTAGE DIMMING TRIAC SYSTEM

V1-S



Permite la regulación de tiras led monocolor (12/24/36V) y carriles magnéticos de 48V.

Puede regular con mecanismos TRIAC y mecanismos pulsadores standard (PUSH).

Puedes conectar varios al mismo mecanismo PUSH; puedes conectar un PUSH y un TRIAC al mismo tiempo.

máx.entrada: 15A / máx.salida: 1 canal de 15A.

Protección contra sobrecargas eléctricas, cortocircuitos y sobrecalentamiento.

Señal entrada regulador AC 40-220v.

Allows to control single color LED strips (12/24/36 V) and 48V magnetic tracks.

Suitable for TRIAC controllers and standard PUSH switches.

You may connect several to the same PUSH switch; also you may connect PUSH switch and TRIAC dimmer at the same time.

max.Input: 15A / max.Output : 1 channel -15A .

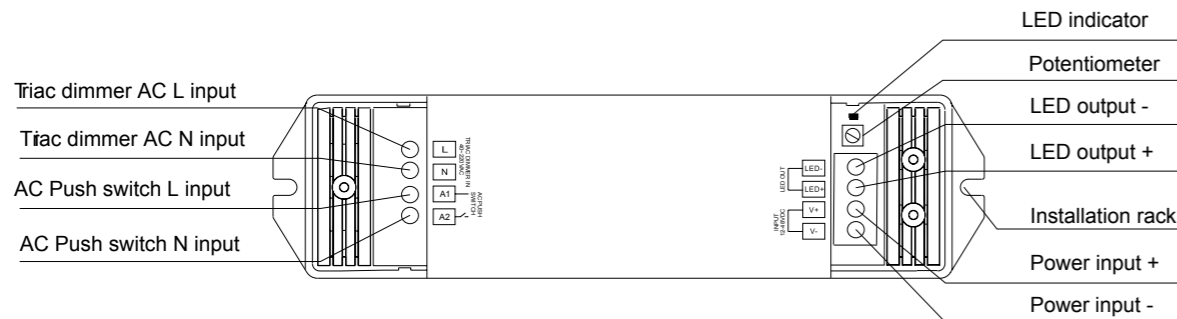
Protection against over current, short circuit & over temperature

Input dimmig signal AC 40-220v.

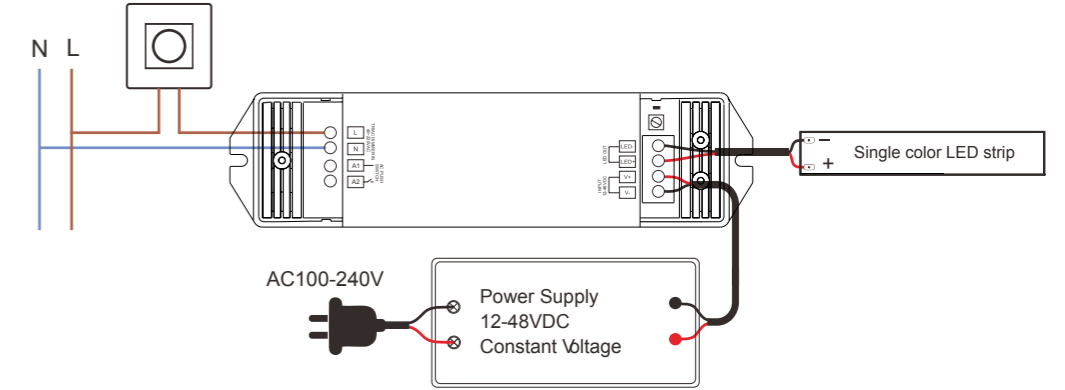
Esquema de conexión / Connection diagram

Ref.	Input-output Voltage	Tipo de regulación Control signal	Intensidad máx. de salida Max output current	Potencia máx. de salida Max output power	Tipo tira Led/magnetic Led strip type/magnetic	Control a través de Control made by
	V	mA	A	12V 24V 36V 48V	Monocolor	Pulsador standard y/o triac
8347	12-48VDC	PWM PUSH TRIAC	1CH,15A	180W 360W 540W 720W	MONOC. DIM (1CH)	Standard push switch and/or triac

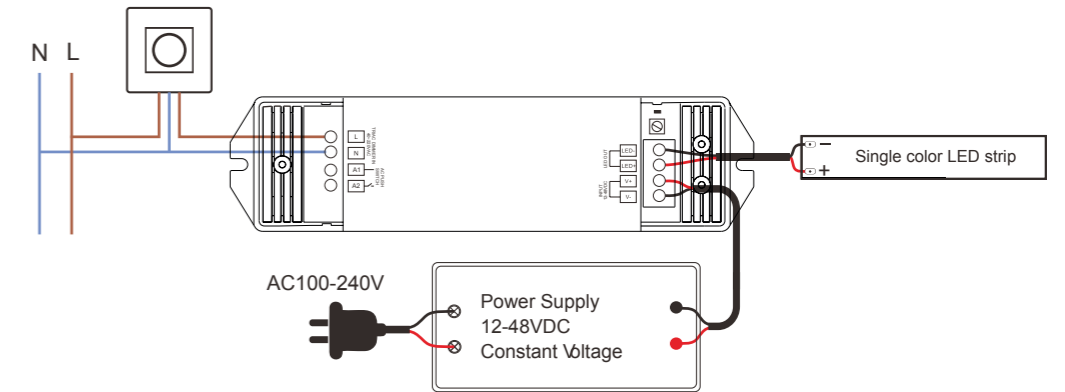
Estructuras e Instalaciones Mecánicas / Mechanical Structures and Installations



Conecte el atenuador Triac con un solo cable, sin cable neutro.  
Connect single wire Triac dimmer, without neutral wire.



Conecte el atenuador Triac con entrada de cable neutral  
Connect Triac dimmer with neutral wire input



Conectar con el interruptor Push de CA  
Connect with AC push switch

